



**SPARE PARTS CATALOGUE
ERSATZTEILKATALOG
CATALOGUE PIECES DETACHEES
CATALOGO PARTI RICAMBIO
CATALOGO DE PIEZAS DE RECAMBIO
CATALOGO PECAS, DE REPOSICAO**

Catalogo parti di ricambio valido
dalla matricola 2987691 ad oggi (29/10/2021)

Catalogue pieces detachees
du numero de Série n. 2987691 jusqu'à aujourd'hui (29/10/2021)

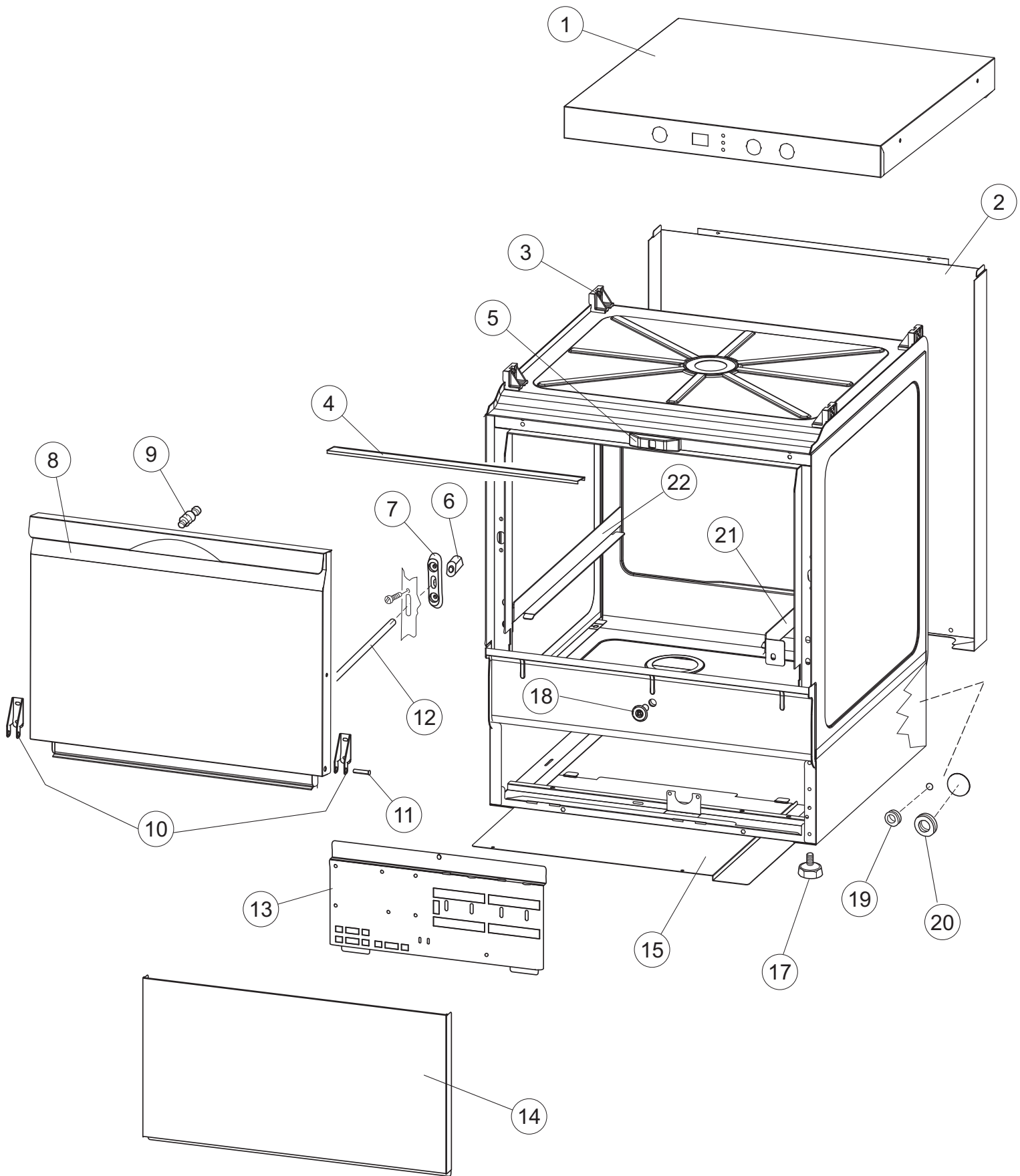
Ersatzteilkatalog
gültig ab Serien-Nr. 2987691 bis heute (29/10/2021)

Spare parts catalogue
valid from serial no. 2987691 up today (29/10/2021)

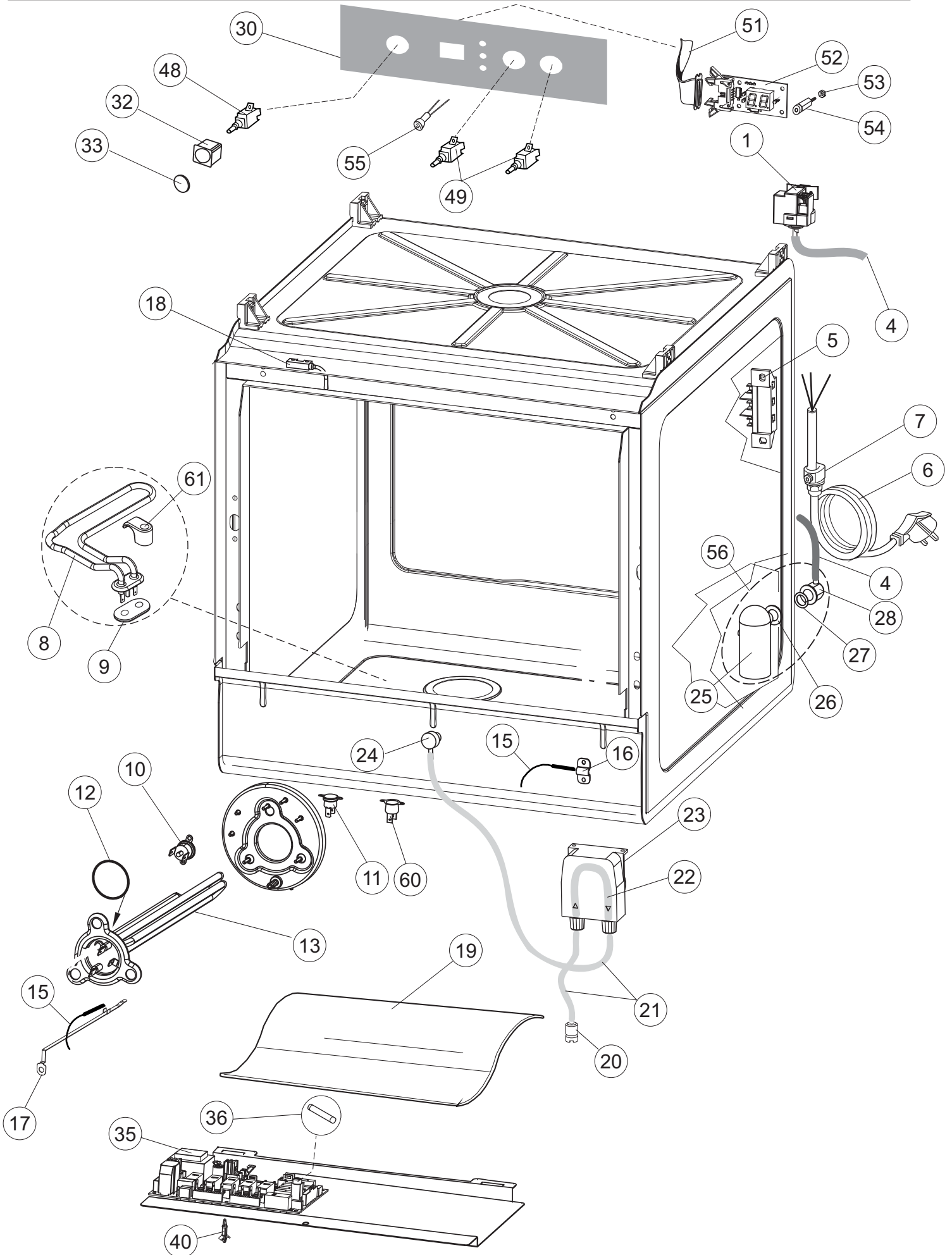
Catálogo de peças de reposição
válido do número de série 2987691 até hoje (29/10/2021)

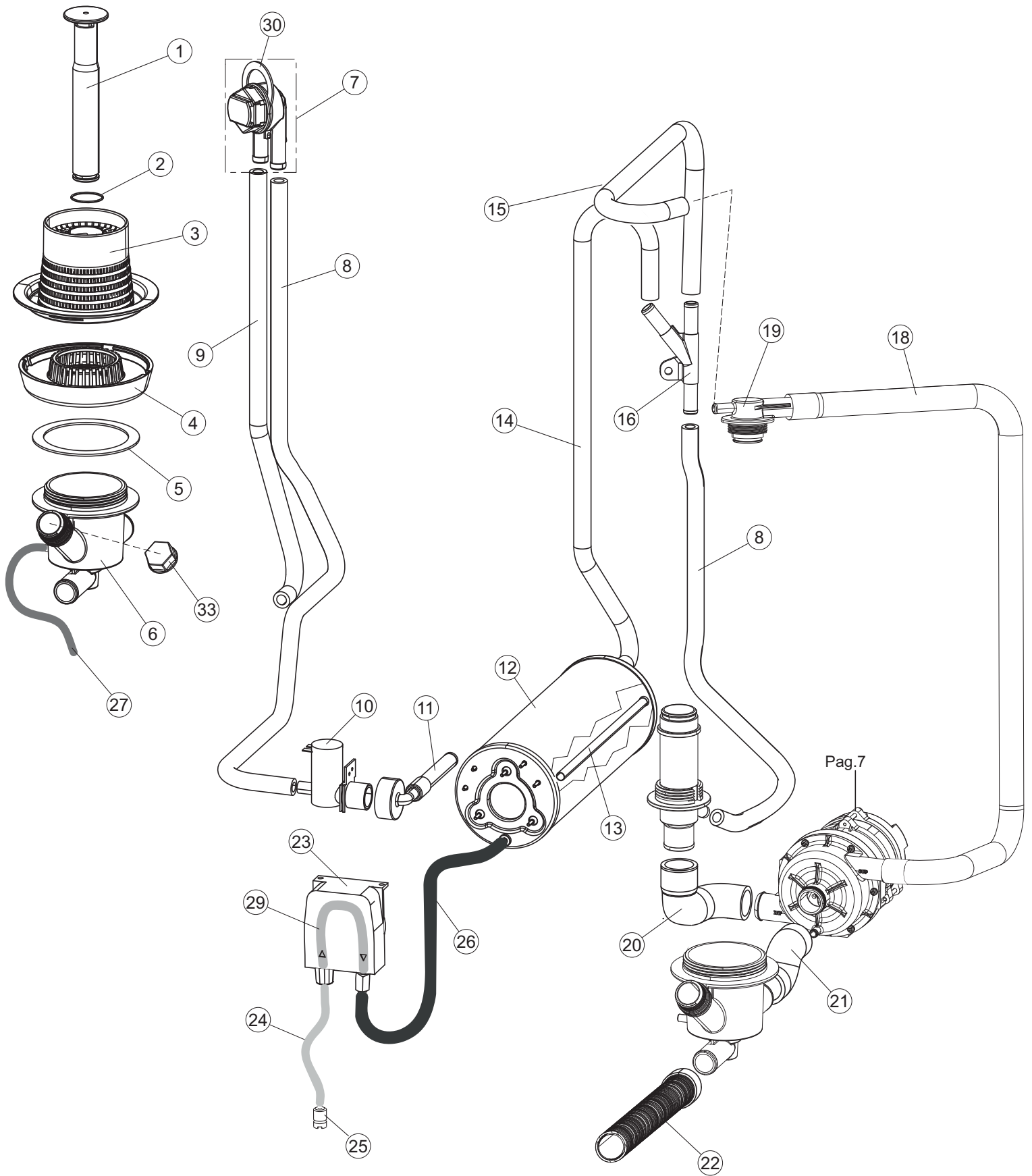
LVP2845BD

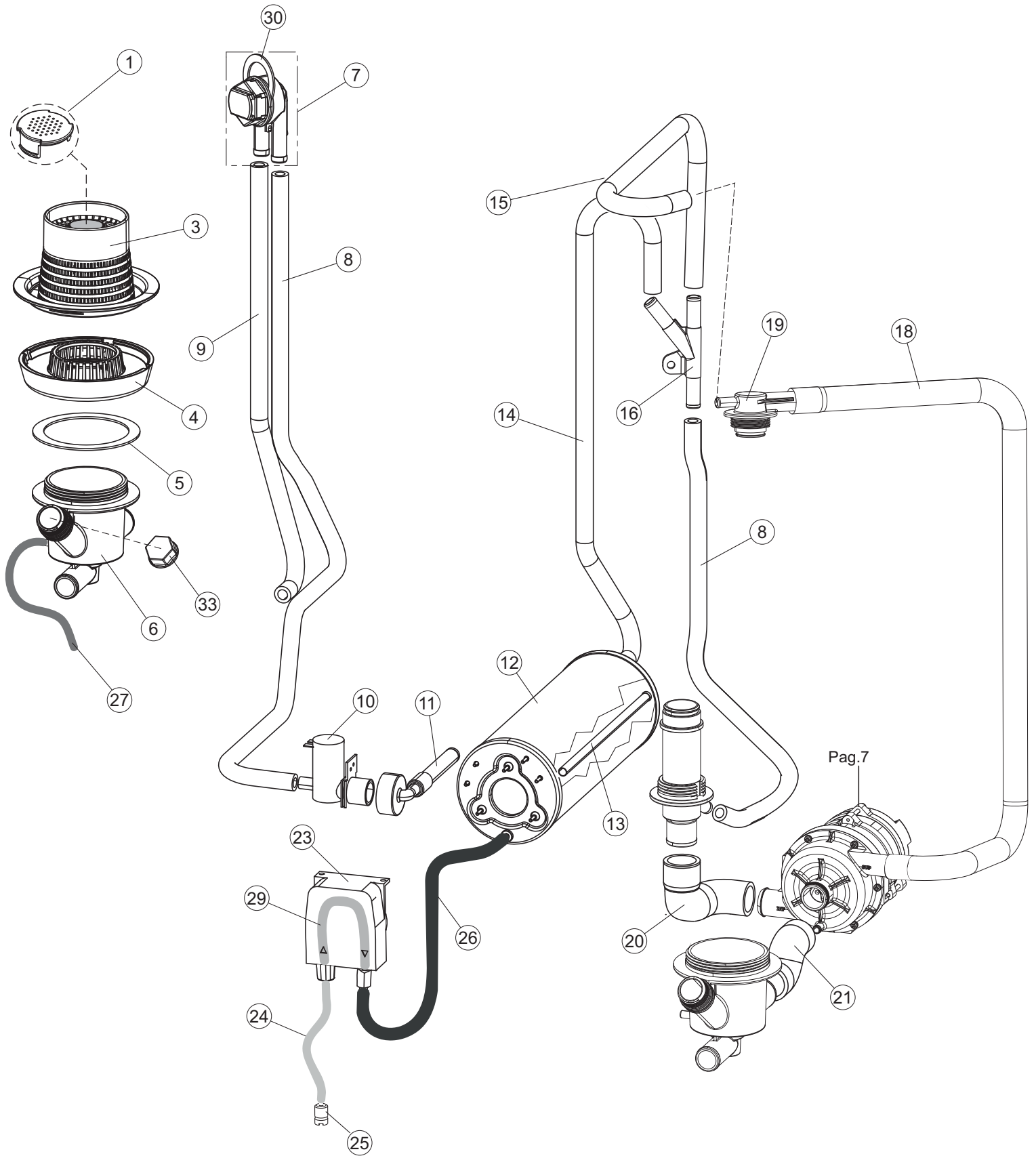
1



2



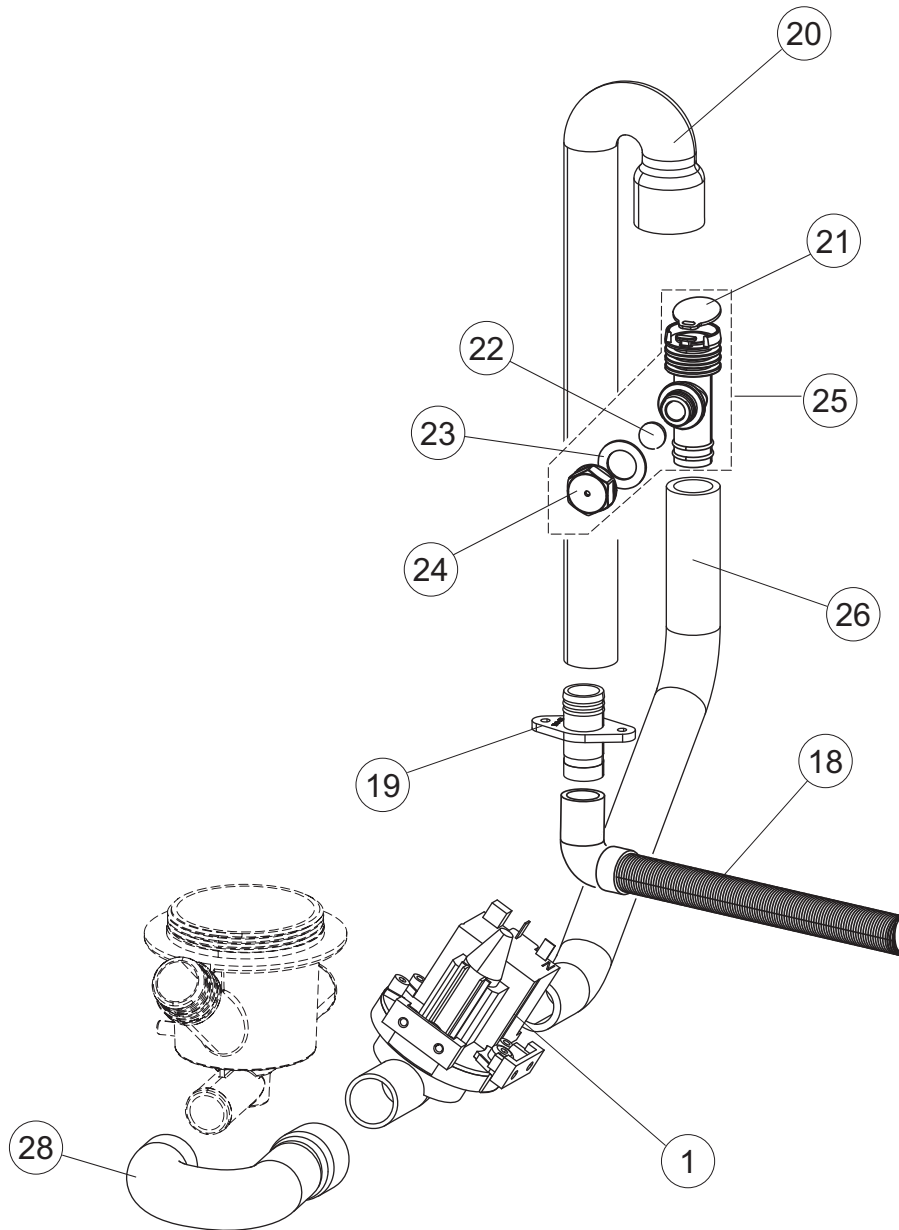




Pag.7

Drain Pump

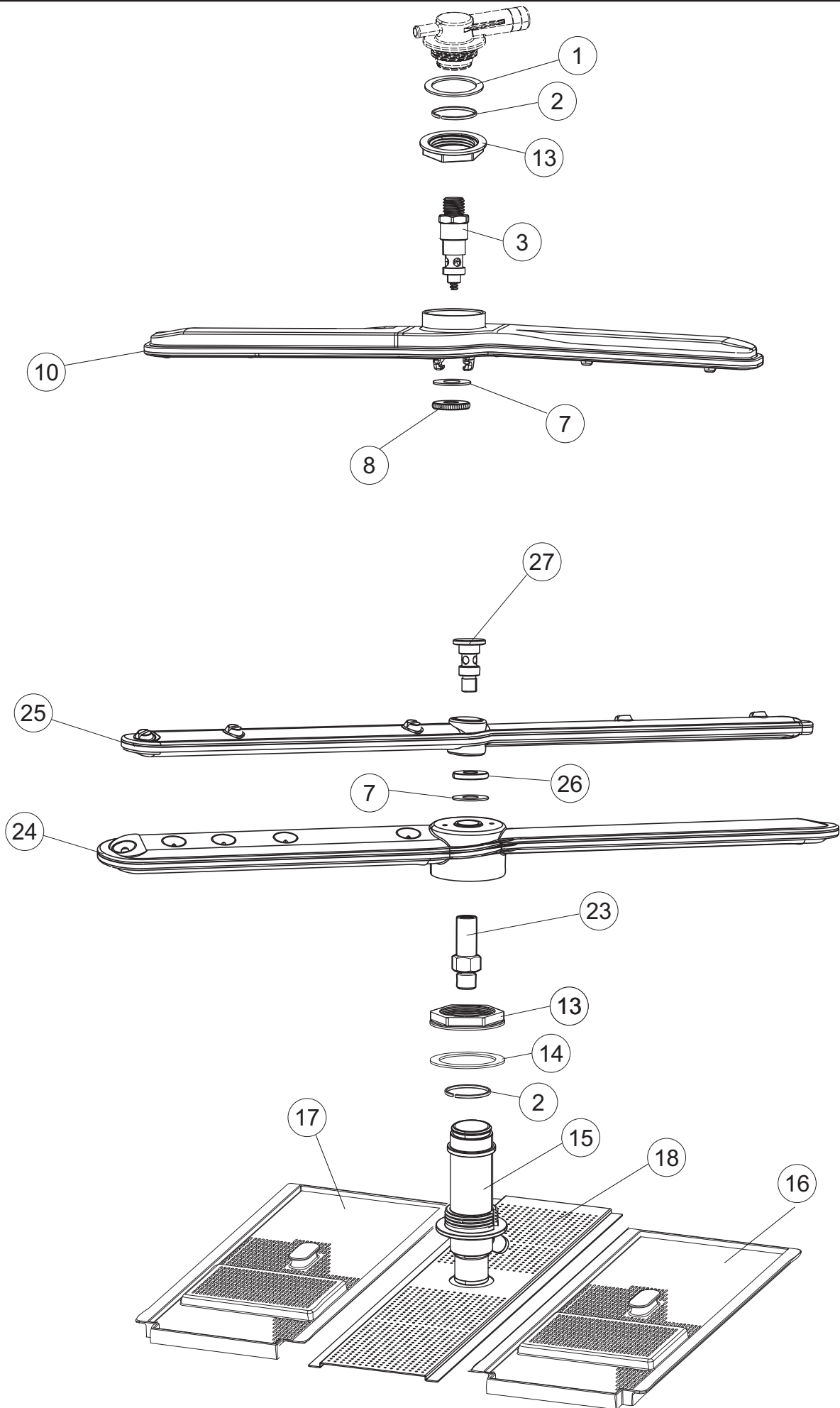
LVP 2845BD

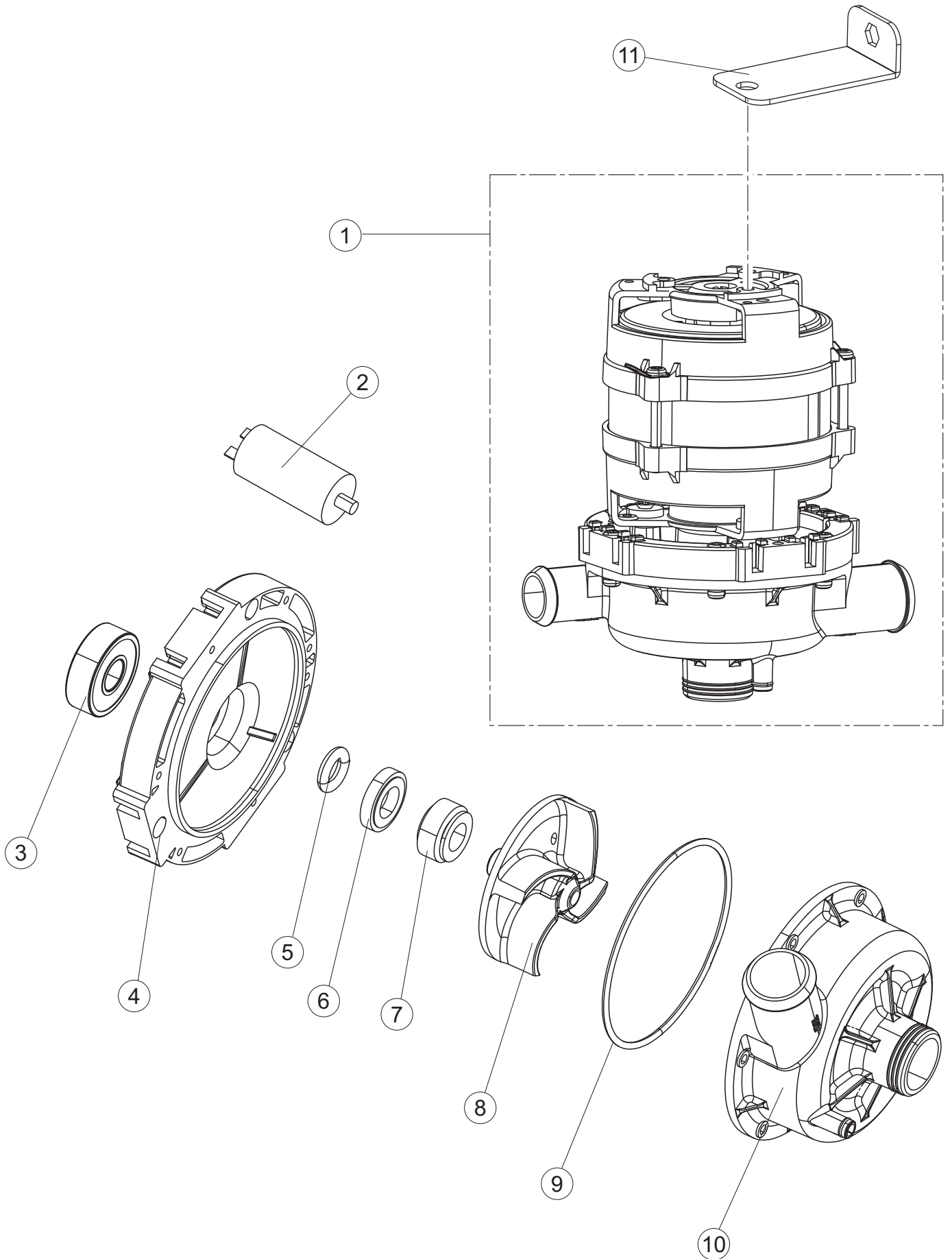


Drain pump

LVP 2845BD

6





(*) Recommended spare part.

Page	Spare part position	Spare part code no.	Old code number	Description	U.m.
1	1	004342		COVER	NR
1	2	022164		REAR PANEL FOR GLASSWASHER	NR
1	3	035113		SUPPORT BRACKET	NR
1	4	437115		DOOR GASKET	NR
1	5	994012		DOOR LOCK FOR DISHWASHERS	NR
1	6	417041		DOOR CLOSING CONTACT BETA 50 (S6198)	NR
1	7	307003		NUT OF TOP DOOR-STOP BAR	NR
1	8	029763		DOOR	NR
1	9	325066		DOOR CLOSURE STAKE FOR GLASSWASHERS	NR
1	10	311019		DOOR HINGE D18/G25 (S6662)	NR
1	11	325036		PIVOT	NR
1	12	304021		DOOR TIE ROD FOR DISHWASHER (S6323)	NR
1	13	035131		PRICE TO BE DEFINED	
1	14	012344		FRONT PANEL	NR
1	15	030199		UNDERPROTECTION FOR BASIS OF GLASS- WASHER	NR
1	17	461019		HEXAGONAL FOOT ADJUSTABLE FOR DISHWASHER	NR
1	18	480153		PLUG	NR
1	19	459006		CHOCK D INT 9 EST 16	NR
1	20	459004		DRAIN PUMP CHOCK	NR
1	21	015067		RACK SLIDE DX.	NR
1	22	015068		RACK SLIDE SX.	NR
2	1	224031		PRESSURE SWITCH	NR
2	4	143235		PIPE	MT
2	5	220010		TERMINAL BLOCK	NR
2	6	299040		PLUG SCHUCKO 90- CABLE 1=2,5 MT	NR
2	7	459005		CABLE-RETAINER	NR
2	8	230124		HEATING ELEMENT	NR
2	9	437086		PACKING OF THE TANK RESISTANCE	NR
2	10	236047		SAFETY TANK THERMOSTAT 95C	NR
2	11	236061		THERMOSTAT 127	NR
2	12	456075		O-RING	NR
2	13	230113		HEATING ELEMENT	NR

(*) Recommended spare part.

Page	Spare part position	Spare part code no.	Old code number	Description	U.m.
2	15	231016		TEMPERATURE PROBE	NR
2	16	028105		FIXING PLATE	NR
2	17	69871		PROBE HOLDER	NR
2	18	80871		MAGNETIC DOOR SWITCH	NR
2	19	214114		TRANSPARENT PROTECTION FOR ELECTRIC INSTALLATION FOR DISHWASHER	NR
2	20	121993		FILTER AID DISPENSER	NR
2	21	143194		PIPE	MT
2	22	143258		"SANTOPRENE" PIPE	NR
2	23	209043		DETERGENT DOSING PUMP	NR
2	24	999348		DETERGENT TANK FITTING	NR
2	25	107017		AIR TRAP FOR PRESSURE SWITCH	NR
2	26	437019		PACKING FOR AIR TRAP OF PRESSURE SWITCH	NR
2	27	456020		O-RING	NR
2	28	468029		AIR TRAP CONNECTION OF PRESSURE SWITCH	NR
2	30	026949		CONTROL ADHESIVE INTERFACE	NR
2	32	226126		PUSH BUTTON CASE	NR
2	33	227064		BUTTON	NR
2	35	215042-4		MAIN BOARD GET50.2	NR
2	36	228010		FUSE	NR
2	40	461028		FOOT BOARD SUPPORT	NR
2	48	208010		DOUBLE SWITCH	NR
2	49	226071		CYCLE PUSH-BUTTON - 2 CONTACTS	NR
2	51	211017		FLAT CABLE	NR
2	52	74902		CONTROL KEYBOARD	NR
2	53	417119		NUT	NR
2	54	419036		INTERFACE BOARD DISTANCE KEEPERS	NR
2	55	216032		LAMP	NR
2	56	984009		PRESSURE SWITCH AIR BELL	NR
2	60	236052		THERMOSTAT 90+/-3C	NR
2	61	999351		GROUP STOPPED TANK HEATER	NR
3	1	142059		OVERFLOW PIPE	NR
3	2	456080		O-RING	NR

(*) Recommended spare part.

Page	Spare part position	Spare part code no.	Old code number	Description	U.m.
3	3	121136		STAINER	NR
3	4	429077		RING NUT	NR
3	5	437107		GASKET	NR
3	6	136029		ASPIRATION AND DRAIN BODY	NR
3	7	144030		NO RETURN VALVE	NR
3	8	143004		PIPE	MT
3	9	127142		SLEEVE	NR
3	10	240011		FILL VALVE	NR
3	11	143270		INLET WRAS PIPE	NR
3	12	104056		BOILER	NR
3	13	143228		PIPE	NR
3	14	127108		BOILER DELIVERY PIPE	NR
3	15	127124		SLEEVE	NR
3	16	143268		JUNCTION "Y"	NR
3	18	127147		DELIVERY WASH HOSE	NR
3	19	115151		SUPPORT ARMS WASH / RINSE	NR
3	20	127176		DELIVERY WASH HOSE LA400	NR
3	21	127105		SUCTION PIPE	NR
3	22	143120		DRAIN HOSE	NR
3	23	209042		DOSING PUMP	NR
3	24	H.775601		PIPE	MT
3	25	121993		FILTER AID DISPENSER	NR
3	26	143005		LINEN RUBBER PIPE 5X12 - BLACK	MT
3	27	H.165168		PIPE	MT
3	29	143261		HOSE	NR
3	30	437080		GASKET	NR
3	33	999361		KIT CAP	NR
4	1	480161		PLUG	NR
4	3	121142		STAINER	NR
4	4	429077		RING NUT	NR
4	5	437107		GASKET	NR
4	6	136029		ASPIRATION AND DRAIN BODY	NR

(*) Recommended spare part.

Page	Spare part position	Spare part code no.	Old code number	Description	U.m.
4	7	144030		NO RETURN VALVE	NR
4	8	143004		PIPE	MT
4	9	127142		SLEEVE	NR
4	10	240011		FILL VALVE	NR
4	11	143270		INLET WRAS PIPE	NR
4	12	104056		BOILER	NR
4	13	143228		PIPE	NR
4	14	127108		BOILER DELIVERY PIPE	NR
4	15	127124		SLEEVE	NR
4	16	143268		JUNCTION "Y"	NR
4	18	127147		DELIVERY WASH HOSE	NR
4	19	115151		SUPPORT ARMS WASH / RINSE	NR
4	20	127176		DELIVERY WASH HOSE LA400	NR
4	21	127105		SUCTION PIPE	NR
4	23	209042		DOSING PUMP	NR
4	24	H.775601		PIPE	MT
4	25	121993		FILTER AID DISPENSER	NR
4	26	143005		LINEN RUBBER PIPE 5X12 - BLACK	MT
4	27	H.165168		PIPE	MT
4	29	143261		HOSE	NR
4	30	437080		GASKET	NR
4	33	999361		KIT CAP	NR
5	1	999364		DRAIN PUMP + BRACKET 220/240-50HZ	NR
5	18	143137		DRAIN HOSE	NR
5	19	468152		DRAIN CONNECTION FOR DISHWASHERS SERIE	NR
5	20	127136		SLEEVE	NR
5	21	499092		DIAPHRAGM VALVE VENT	NR
5	22	476008		SPHERE	NR
5	23	437083		GASKET	NR
5	24	468199		PIPE FITTING	NR
5	25	144992		NO RETURN VALVE	NR
5	26	127150		DRAIN PUMP-VENT VALVE HOSE	NR

(*) Recommended spare part.

Page	Spare part position	Spare part code no.	Old code number	Description	U.m.
5	28	127151		SUCTION PIPE	NR
6	1	437113		GASKET	NR
6	2	303018		SEALING AND SLIDING RING CL.3	NR
6	3	325109		PIVOT	NR
6	7	437117		WASHER	NR
6	8	454006		RING NUT	NR
6	10	990127		GRUPPO BR.PARALLELI 45 EB.CPL.	NR
6	13	429079		RING NUT	NR
6	14	437108		GASKET	NR
6	15	115144		MAINFOLD	NR
6	16	121154		STAINER	NR
6	17	121155		STAINER	NR
6	18	033482		CENTRAL CROSS ARM FOR SPRING HOOKING	NR
6	23	325097		PIVOT	NR
6	24	129090		WASH ARM	NR
6	25	129079		COMPLETE RINSE ARM	NR
6	26	80697		RING NUT	NR
6	27	80700		PIVOT	NR
7	1	130202		WASHPUMP LA400 230/50-1N	NR
7	2	206014		CAPACITOR 5MF	NR
7	3	314011		WASH-PUMP BEARING	NR
7	4	315028		PRICE TO BE DEFINED	
7	5	456084		PRICE TO BE DEFINED	
7	6	141012		WASHPUMP SHAFT SEAL	NR
7	7	141013		WASHPUMP SHAFT SEAL	NR
7	8	124063		ELECTROPUMP IMPELLER	NR
7	9	456083		O-RING	NR
7	10	116035		ELECTROPUMP HOUSING	NR
7	11	035132		SUPPORT BRACKET	NR